

SCHLEIFRING



NON-CONTACTING
: POWER TRANSMISSION

Contactless Power Transmission

across a large free inner bore

Innovation in the premium class



Contactless Power Transmission 10...200 kW

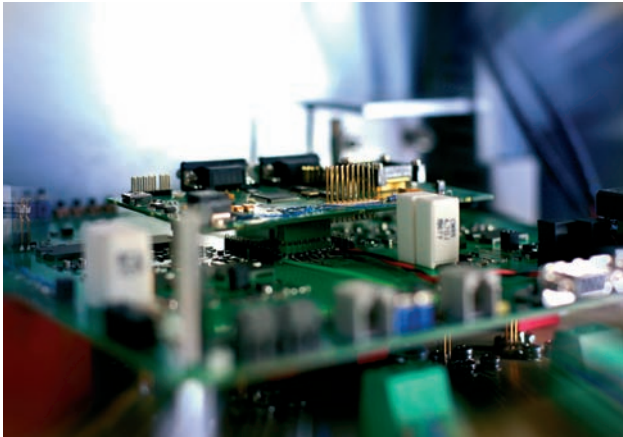
High-end CT technology systems demand

- High rotational speed
- Low running costs
- Failsafe
- No down time through maintenance service
- Modular extensibility

To fulfil these requirements, the power transmission is one of the key determinants. SCHLEIFRING offers a dependable solution covering all factors: **contactless power transmission**.

Electrical power can be transferred varying from 100 W in industrial applications up to >200 kW for medical or security scanners. This transmission principle developed by SCHLEIFRING is based on a transformer configuration with a high efficiency factor. The scalable design of this non-contacting power transmission principle offers maintenance-free long operational life, and introduces no additional torque to the scanner. The system is designed for high rotational speeds and voltage stability within the full load range.

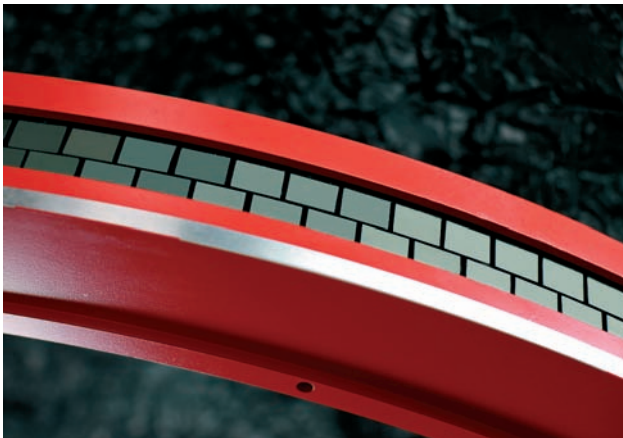
Reliable. Long Life.



Power electronics and control board with DSP

Features:

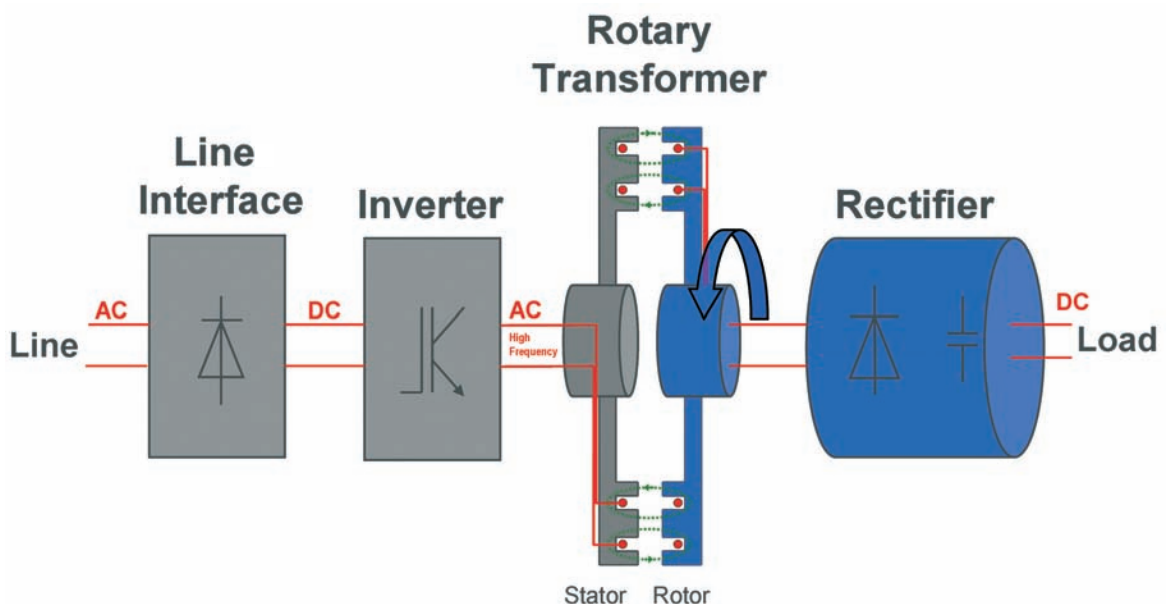
- Maintenance-free, long life, no wear
- High rotational speed: >300 rpm
- Voltage stability within full load range
- For dry/ aggressive environments
- **Compatible with:**
 - GigaCAP® – Non-contacting data transfer
 - Encoder technology
 - Mechanical and air-bearing units
 - Direct drive and belt drive



Rotary transformer with ferrite core

Options:

- Power for X-ray generator (e.g. 150 kW peak)
- Auxiliary power for CT (e.g. 10 kW continuous)
- Applicable in medical and security CT technology
- **Integration:**
 - into existing power solutions
 - as part of the X-ray generator



more information

Business Unit Medical

E-Mail: sales-med@schleifring.de

Phone: +49 8141 403-223

: www.schleifring.de

RSNA-4/ 10-2008
Subject to change

SCHLEIFRING und APPARATEBAU GmbH
Am Hardtanger 10
82256 Fürstenfeldbruck
Germany
Phone: +49 8141 403 0
Fax: +49 8141 403 45
Email: sales@schleifring.de

SCHLEIFRING Systems Ltd.
Abex Road
Newbury Berks. RG14 5EY
Great Britain
Phone: +44 1635 36363
Fax: +44 1635 38334
Email: sales@schleifring.co.uk

SCHLEIFRING Medical Systems, LLC
1420 Crispin Drive
Elgin Illinois 60123-5533
USA
Phone: +1 847 741 9600
Fax: +1 847 741 0022
Email: sales-med@schleifring.com

SCHLEIFRING North America, LLC
1420 Crispin Drive
Elgin Illinois 60123-5533
USA
Phone: +1 847 429 9801
Fax: +1 847 429 9802
Email: sales-ind@schleifring.com